

Stick Pilot

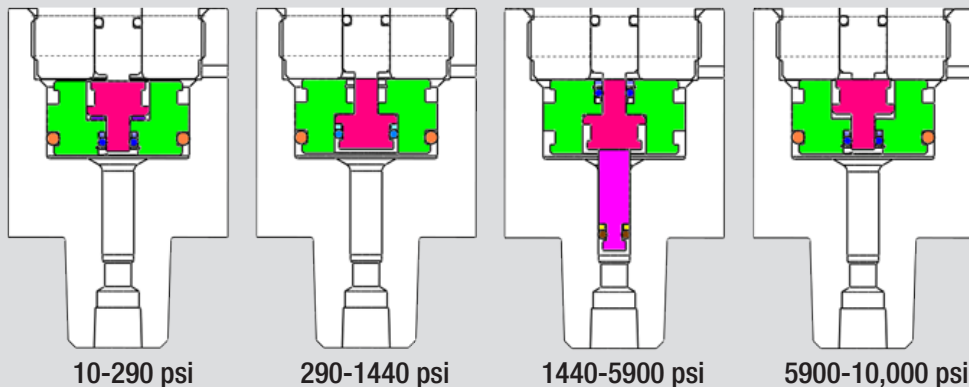
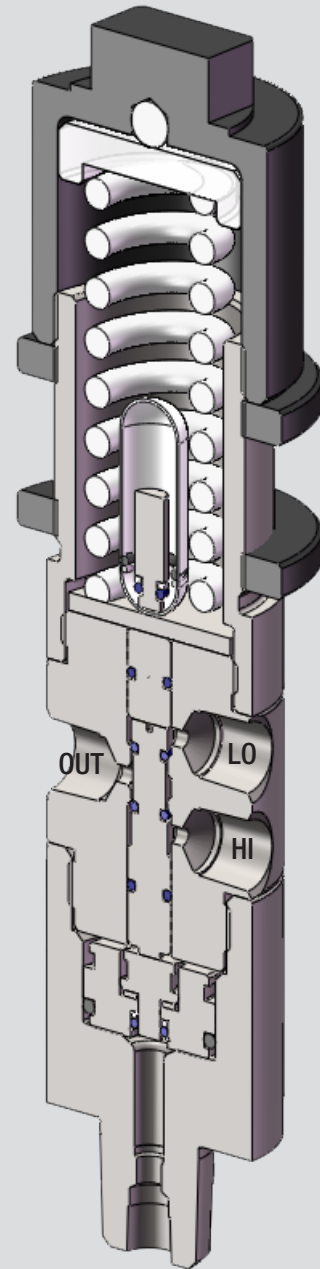
The Stick Pilot is designed to monitor and respond to the pressure fluctuations of a system. It can be installed as a Pressure Safety High (rising/increasing pressure) or Pressure Safety Low (falling/decreasing pressure) device. The setpoint is easily adjustable via the cap and the device will automatically reset. Four different pressure ranges are available by easily changing the piston arrangement. All the parts necessary to make the changes are provided with each stick pilot.

Specifications

- ±1% Repeatability
- Pressure setpoints available between 10-290 psi, 290-1440 psi, 1440-5900 psi, or 5900-10,000 psi
- Service temperature range: -50 to 180°F (-46 to 82°C)
- Maximum working pressure: 10,000 psi (689 bar)
- Maximum instrumentation pressure: 150 psi (10 bar)
- Compatible with oil/gas/air instrumentation
- Connection port: 1/2" NPT or 1/8" NPT
- Instrumentation ports: 1/4" NPT
- Dimensions: 1.75" OD X 8.5" tall (lock rings are 2.25" OD)
- ABSA CRN OF14102.2 (also BC.21, SK.23)

Features

- Block and bleed valve design
- Minimum deadband
- Factory set, yet field adjustable
- Overpressure relief ports in piston and spring housing
- Wrench flats for easy installation
- Interchangeable piston arrangements to achieve different pressure ranges
- All parts are conveniently stored in the stick pilot
- Rebuild kit available (Plainsman Part Number 431929)
- NACE MR0175 compliant materials



STICK PILOT

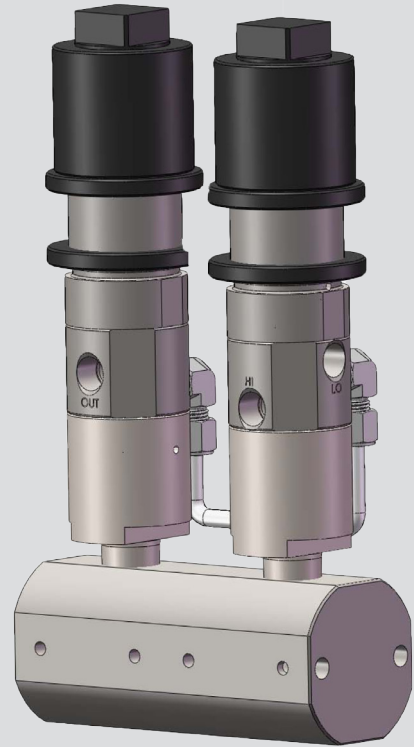
MADE IN CANADA



Stick Pilot & Manifold

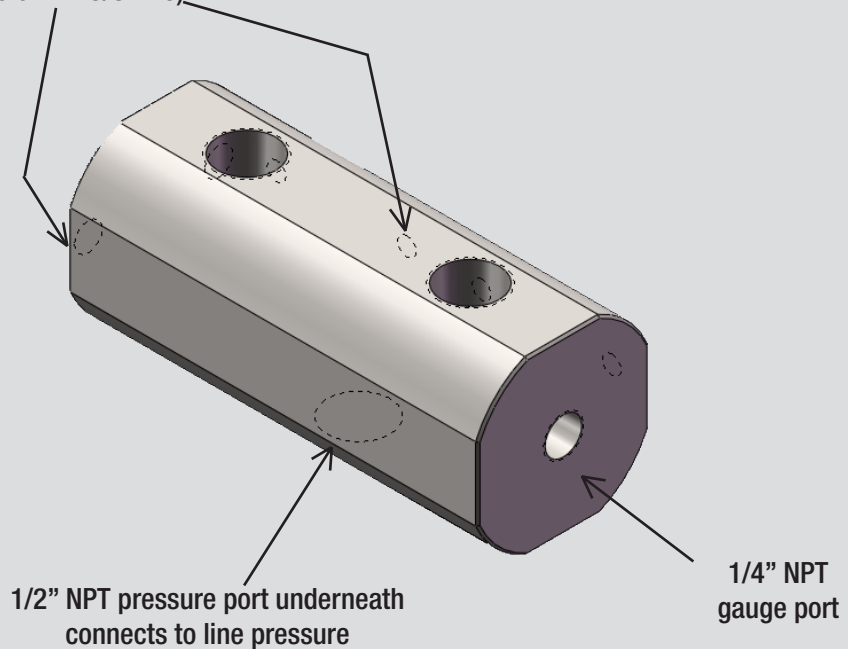
Features

- Manifold dimensions: 2.5" OD X 5.5" long (2.3" A/F)
- 1/2" NPT ports for Stick Pilots
- 1/4" NPT gauge port
- 1/2" NPT line pressure port
- Two mounting options: 1/4"-20 or 3/8"-16
- Two Stick Pilots assembled with a Manifold becomes a Pressure Safety High and Low system



MATERIALS OF CONSTRUCTION	
Body, Pistons, Stems, Spring	316 Stainless Steel
O-rings	PTFE Coated Viton
Cap and Rings	Delrin
Spring Guide	Nylon
Manifold Body	316 Stainless Steel

Two mounting options
(4 X 1/4" -20 or 2 X 3/8" -16)



MADE IN CANADA

