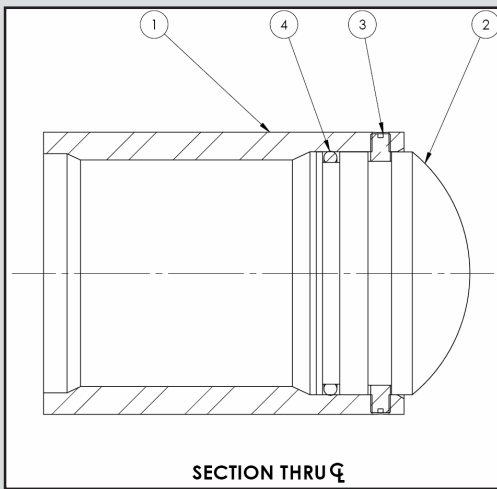


Tubing Plugs

Features

- Domed bottom prevents hang ups while tripping pipe
- Adjustable shear values
- Low cost



Part Numbers

Item	Description	2-7/8" EUE	3-1/2" EUE
-	Tubing Plug Assembly	425193	425084
1	Body	425195	425082
2	Plug	425196	425081
3	Shear Screw (Brass Only)	355027	355027
4	O-Ring	436166	425080

Specifications

Description	2-7/8" EUE	3-1/2" EUE
Number of Screws	16	25
Shear Pressure per Screw	200 psi	120 psi
Maximum Burst Pressure	3200 psi	3000 psi