



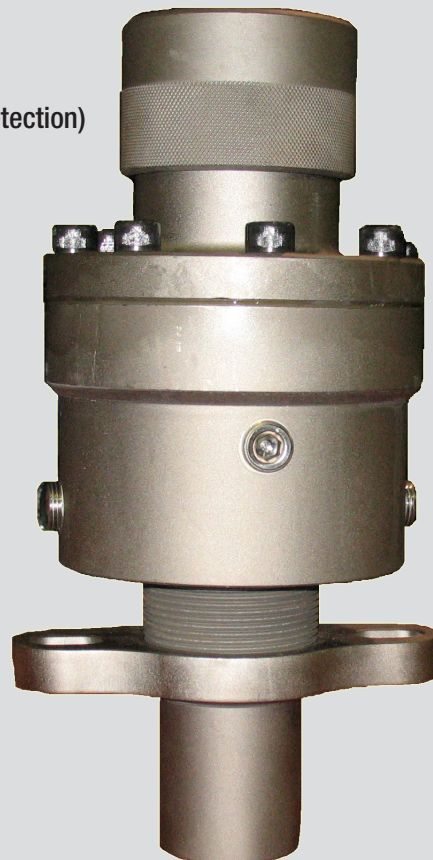
Grizzly Environmental Stuffing Box

Reduce environmental impact of packing leaks and rod string failure with our Grizzly Environmental Stuffing Box (GESB). Bolted on to the existing stuffing box, the GESB acts as secondary containment as well as lubrication for the rod string. In case of a break, the flapper shuts closed and prevents any spills on the wellsite, which saves you on production downtime and soil or water contamination.

The versatile GESB can be used with a pressure gauge, pressure switch, sight gauge, or other leak indicator to provide notification that your wellhead needs servicing.

Features

- Nickel super-alloy coated for maximum corrosion and abrasion resistance
- 2000 psi working pressure, 3000 psi test pressure
- Fits 1-1/4" and 1-1/2" polished rod
- Multi-use containment chamber can be used as:
 - Polished rod lubricator when filled with grease
 - Leak detection and containment
 - Secondary pressure containment
 - Blow-Out Preventer if polished rod breaks
- Wear block on flapper and packing set available in Delrin or Brass
- Bolted top design for easy service
- Material meets NACE MR01-75
- 316 stainless steel flapper and assembly
- Three 1/2" NPT body holes (oil fill, oil drain, & shutdown/leak detection)
- Adapts easily to WNS and Hercules stuffing boxes
- 2-7/8" EUE bottom connection for added versatility
- All units are made in an ISO 9001 quality system
- Standard packing
 - 1-1/4" x 2-1/4" x 3"
 - 1-1/2" x 2-1/4" x 3"



GRIZZLY STUFFING BOX

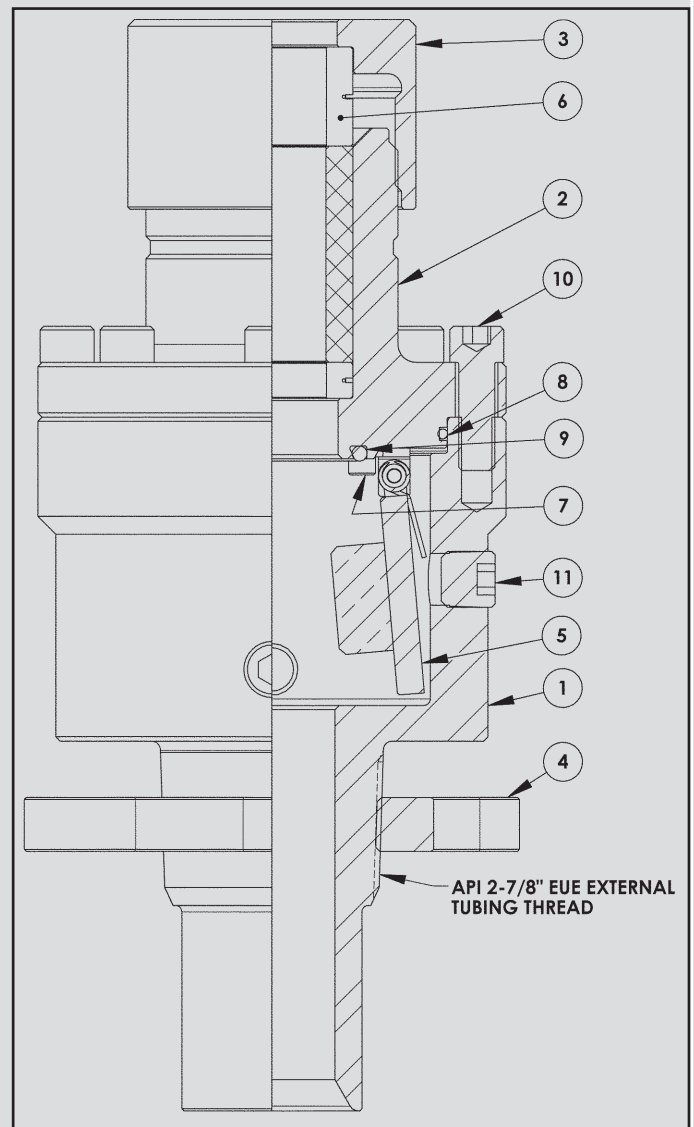


GRIZZLY STUFFING BOX



PART DESCRIPTION	PART NUMBER
Grizzly Environmental Safety Box complete with 1 - 1/4" BRASS packing set and flapper wear block	428415
Grizzly Environmental Safety Box complete with 1 - 1/4" DELRIN packing set and flapper wear block	428416
Grizzly Environmental Safety Box complete with 1 - 1/2" BRASS packing set and flapper wear block	428417
Grizzly Environmental Safety Box complete with 1 - 1/2" DELRIN packing set and flapper wear block	428418

ITEM	PART DESCRIPTION	PART NUMBER
1	Lower Body, G-116	428183
2	Upper Body, G-104	428182
3	Upper body cap, G-100	428177
4	Lower body wing nut, G-117	428184
5	Flapper assembly, Delrin	428175
5	Flapper assembly, Brass	428176
6	Packing set, 1-1/4" Brass	428178
6	Packing set, 1-1/4" Delrin	428179
6	Packing set 1-1/2" Brass	428180
6	Packing set, 1-1/2" Delrin	428181
7	SKT head cap screw	425886
8	O-Ring	428186
9	O-Ring	428391
10	SKT Head Capscrew	428185
11	Pipe Plug 1/2" NPT 316 SS	426632



MADE IN CANADA



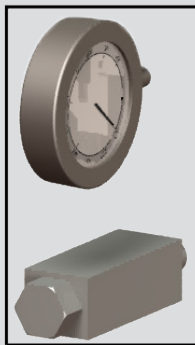
Phone: 780-496-9800 Fax: 780-463-9800 Toll Free: 1-877-448-0586

www.plainsmanmfg.com

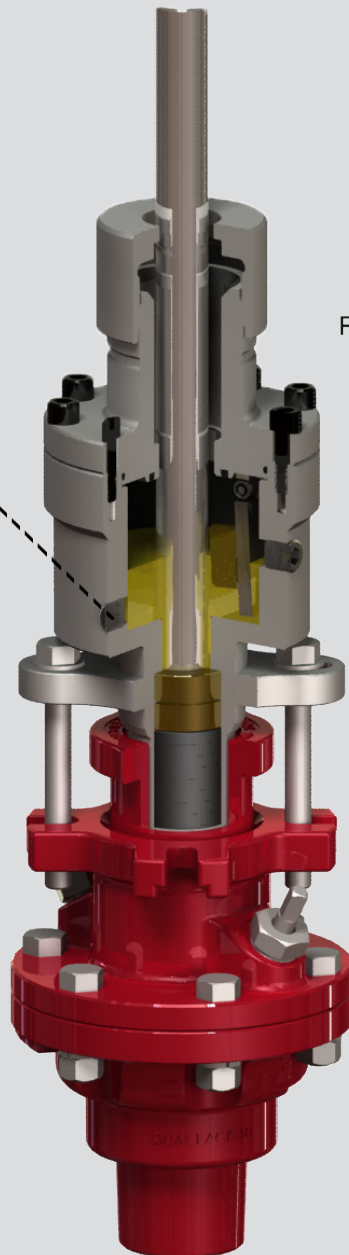
Specifications subject to change without notice

Flapper Breakdown

ITEM	PART DESCRIPTION	PART NUMBER
1	FLAPPER BRACKET, G-108	428187
2	FLAPPER, G-112	428188
3	SPRING (FLAPPER) INCONEL, G-111	428189
4	HINGE PIN (FLAPPER), G-110	428190
5	WEAR BLOCK, DELRIN, G-113-D	428191
6	SKT HEAD CAP SCREW	428192
7	WEAR BLOCK, BRASS, G-113-B	428193



1/2" NPT Ports
for Accessories



Remove top cap and lube gland
and proceed to bolt GESB in
place with existing hardware

