



# Blow-Out Preventers

## Features

- Full opening
- API gauged threads
- Bodies made of ductile iron Grade 65-45-12
- Working pressure of 1500 psi
- Minimizes down time with quick opening end caps
- Bubble tight seal provided with cap o-ring
- Blowout proof threaded ram bolt
- Threads not exposed to the process fluid



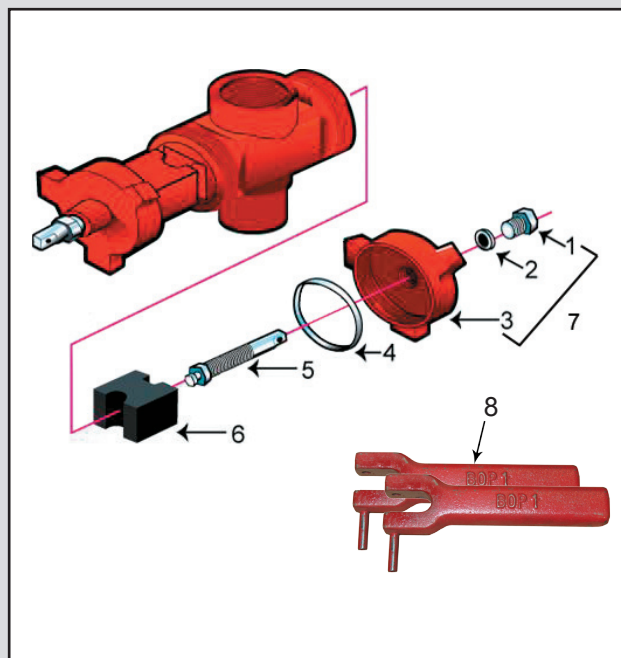
**BLOW-OUT PREVENTER**



# BLOW-OUT PREVENTER

## BOP Part Numbers

BLOW OUT PREVENTER	PART #
2-3/8"EUE x 5/8" Nitrile	425447
2-3/8"EUE x 1-1/4" Nitrile	390001
2-3/8"EUE x 1-1/2" Nitrile	390002
2-3/8"EUE x 1-1/4" Hydrin	426883
2-7/8"EUE x 1-1/4" Hydrin	426884
2-7/8"EUE x 1-1/4" Nitrile	390003
2-7/8"EUE x 1-1/2" Nitrile	390004
2-7/8"EUE x 1-1/2" Hydrin	428014
3"EUE x 5/8"-1" Nitrile	429641
3"EUE x 1-1/4" Nitrile	390005
3"EUE x 1-1/2" Nitrile	390006
3"NPT x 5/8" Nitrile	427338
3"NPT x 1-1/4" Nitrile	390007
3"NPT x 1-1/2" Nitrile	429072
3"NPT x Blind Nitrile	426174



ITEM	DESCRIPTION	PART #
1	Packing Gland	390010
2	Packing Ring	390019
3	Wing Cap	390008
4	O-Ring	390012
5	Ram Screw	390020
6	Ram Set, Blind, Nitrile	390017
	Ram Set, 1-1/4", Nitrile	390015
	Ram Set, 1-1/2", Nitrile	390016
	Ram Set, 1-1/4", Hydrin	390018
	Ram Set, 1-1/2", Hydrin	429462
	Ram Set, 5/8"x 1-1/4", Nitrile	428873
7	Wing Cap Assembly	390009
8	Flip Over Handles (Set of 2)	390011

