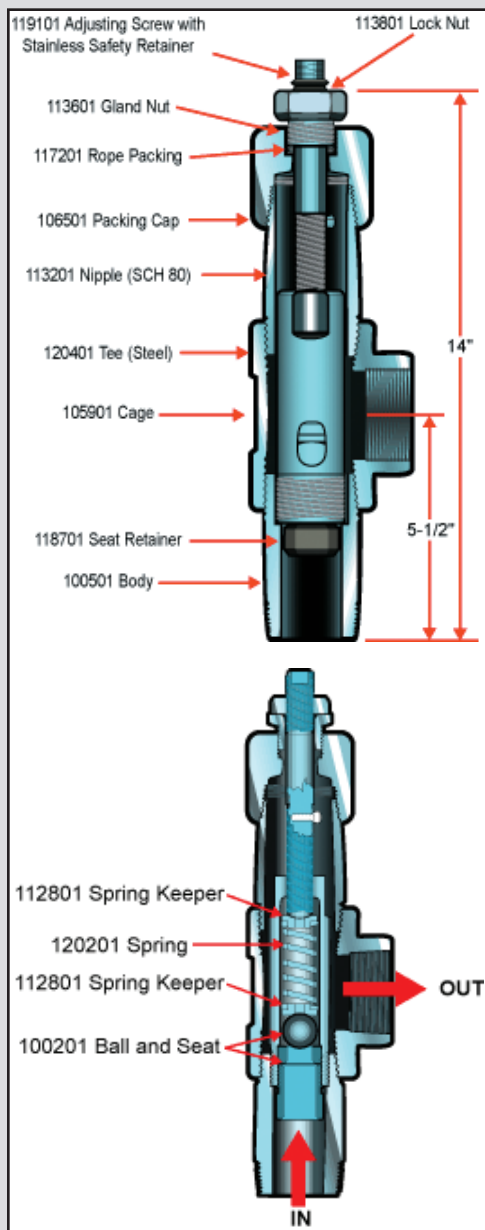


2" Back Pressure Regulator

Features

- Available in cross or tee configuration
- Spring ranges available: 10-200 psi, 10-500 psi, 10-900 psi and 10-1500 psi
- Reduces paraffin by keeping gas in solution
- 1/4" NPT pressure port



PARTS LIST	
PART NAME	2" NPT PART #
Body	100501
Cage	105901
Seat Retainer	118701
Spring 10-200 psi	120201
Spring 10-500 psi	120202
Spring 10-900/1500 psi	120203
Spring Keeper	112801
Lock Nut	113801
Lock Screw	119301
Adjusting Screw	119101
Packing Cap	106501
Gland Nut	113601
Rope Packing	117201
Tee (Steel)	120401
Plug 1/4" F.S.	117501
Nipple (SCH 80)	113201
Ball & Seat	100201
Ball & Seat 1500#	100202

BACK PRESSURE REGULATOR

