

## Rod Rotators

	3020	3020SG	2520
Max. Torque Output	240 lb-ft	240 lb-ft	120 lb-ft
Max. Recommended Load	40,000 lbs	40,000 lbs	33,000 lbs
Polished Rod Size	1-1/8" to 1-3/4"	1-1/8" to 1-3/4"	1-1/8" to 1-1/2"
Shipping Weight	48 lbs	48 lbs	35 lbs
Rotation Type	Helical Worm Gear	Helical Worm Gear	Ratchet Table
Body Material	Ductile Iron	Ductile Iron	Ductile Iron
Rotation per 90° Lever Stroke	<5°	<2.5°	15°

1. Custom cable lengths available
2. Rotators must be under load to operate

### Features

- Effectively remove paraffin build up
- Evenly distribute rod and tubing wear
- Use with Plainsman PL5 centralizing couplings for maximum effectiveness
- Parts interchangeable with existing 302 and 252 rod rotators

**3020 Gear Driven**



**3020SG (Slow Gear Driven)**



**2520 Ratchet Table**

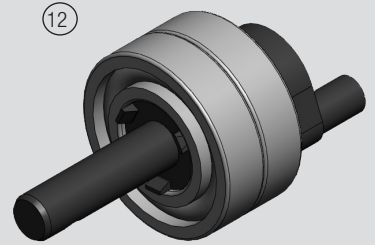


# 2520 ROD ROTATOR PARTS LIST

## 2520 Rod Rotator Parts List

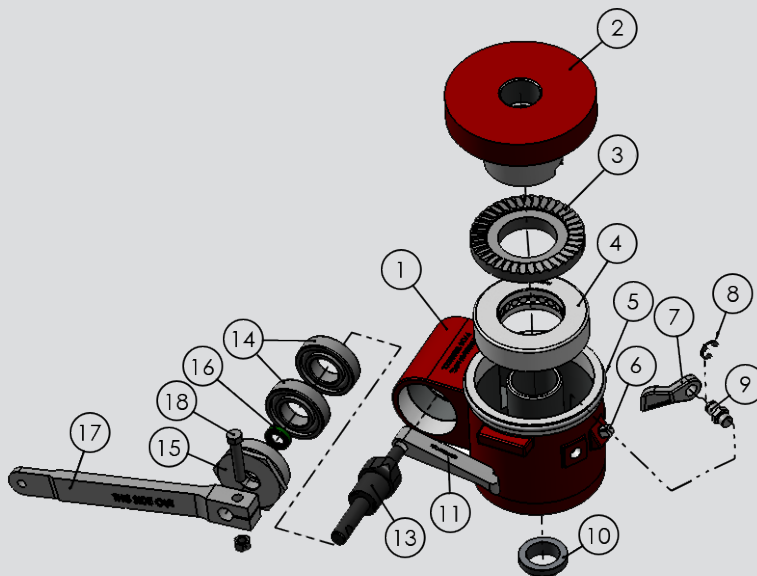
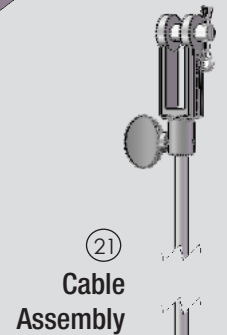
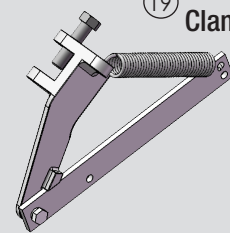
ITEM	PART DESCRIPTION	PART NUMBER
1	Housing	425765
2	Top Cover	425766
3	Ratchet Table	425769
4	Rod Loading Bearing	325015
5	O-Ring	425761
6	Plug	125001
7	Holding Pawl	425771
8	External Retaining Ring (E-Ring)	425760
9	Holding Pawl Bolt	425772
10	1-1/4" Pilot 1-1/2" Pilot	425774 425775
11	Actuator Pawl	425770
12	Cam Shaft Assembly	427096
13	Cam Shaft	425768
14	Cam Shaft Bearings	425763
15	Cam Shaft Packing Gland	425767
16	Oil Seal (for cam shaft packing gland)	425762
17	Actuator Lever	425773
18	Bolt (for actuator lever)	425764
19	Safety Beam Clamp Assembly	425757
20	Yoke Kit	427102
21	3/16" Galvanized Wire Cable Assembly c/w Ends	425758

Cam Shaft Assembly



1. 2520 Rod Rotators come complete with all the assemblies and parts as shown below
2. Cam shaft bearings can only be ordered as part of cam shaft assembly

Safety Beam Clamp Assembly



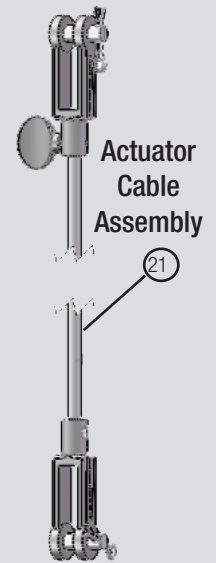
MADE IN CANADA



# 3020 ROD ROTATOR PARTS LIST

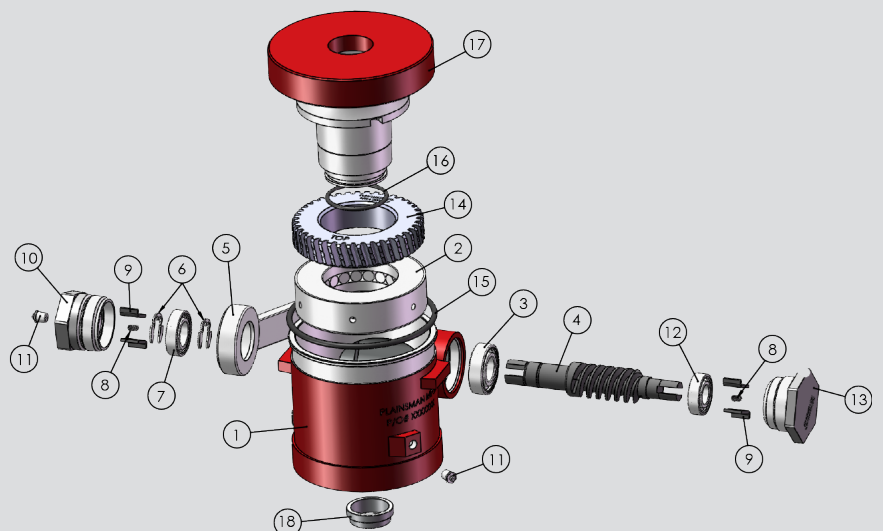
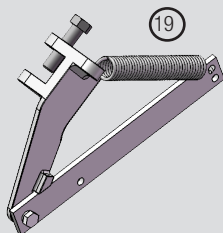
## 3020 Rod Rotator & 3020 Slow Gear Parts List

ITEM	PART DESCRIPTION	PART NUMBER
1	Body	427852
2	Rod Load Bearing	426144
3	Middle Shaft Bearing	426145
4	Worm Drive Shaft	427849
	Worm Drive Shaft, Slow Gear	431950
5	Actuator Lever	427848
6	E-Ring (large)	426168
7	Bearing for Actuator Ratchet	426147
8	Ratchet Spring	426167
9	J-Hook	429071
10	Actuator Ratchet Body	427851
11	Grease Nipple	426148
12	Bearing for Backstop Nut	426146
13	Backstop Nut	427850
14	Worm Gear	427853
	Worm Gear, Slow Gear	431951
15	Large O-Ring (body)	426169
16	Small O-Ring (Pillar Post)	426149
17	Cover cap	427847
18	1-1/4" Pilot	425774
	1-1/2" Pilot	425775
19	Safety Beam Clamp Assembly	425757
20	Yoke Kit	427102
21	3/16" Galvanized Wire Cable Assembly c/w ends	425758



1. 3020 Rod Rotators come complete with all the assemblies and parts as shown below

Safety Beam Clamp Assembly



MADE IN CANADA



Phone: 780-496-9800 Fax: 780-463-9800 Toll Free: 1-877-448-0586

www.plainsmanmfg.com

Specifications subject to change without notice

(8), PB-RODR04