

# Plainsman Meter Lift

Outdoor Deep-Set Meter Box

## Features

- Weholite profile wall HDPE pipe construction
- Larger inside diameter than other models
- Constant outside diameter--no exterior insulation due to intrinsic insulation properties of profile
- Insulating Plug and Meter Table retrievable without special tools

## Advantages

- Durable HDPE construction reduces damage during handling
- Large inside diameter allows more room to work, as well as attach devices such as pressure reducers
- Deep set foam plug eliminates need for exterior insulation
- No special tools required to retrieve plug or meter table

## Technical Specifications

### Pipe:

18 in. ID Weholite Pipe  
HDPE Profile Wall Pipe

### Plug:

Closed-cell polyethylene foam  
PVC Handle

### Lid:

Galvanized and Stainless Steel  
2000 lb Capacity

### Fittings:

All fittings are NSF Listed waterworks brass

### Tubing:

3/4 CTS Crosslinked Polyethylene (PEX), terminating  
in 3/4 NPT Male Nipples. Max Pressure 160 psi at 23° C

### Weight:

Standard model (no lid): 140 lb  
Lid: 27 lb



## Configuration:

### Height:

From 90" [2290 mm] to 120" [3050 mm]  
in 6" [152 mm] increments, 120" standard

### Flow (gpm):

0.25, 0.50, 0.75, 1 (standard), 2.5, 5.0

### Meter Table Fittings:

#### Standard:

- Ball Angle Valve\*
- Angle Dual Check\*
- Elbows\*
- Nipples & Bushings

#### Options:

- Pressure Reducing Valve \*\*
- Y-Strainer
- Tee
- Pressure Gauge

## Notes:

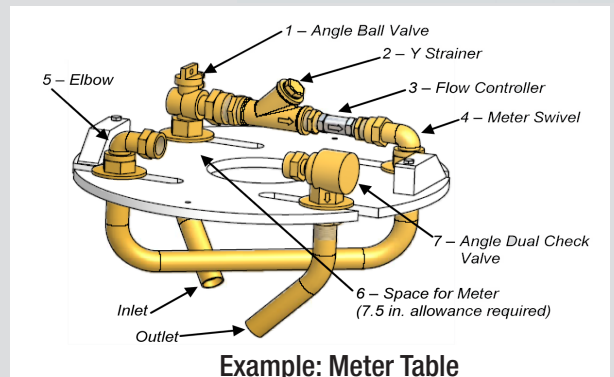
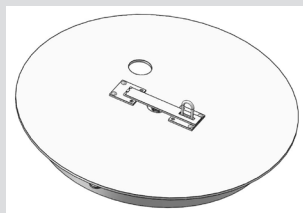
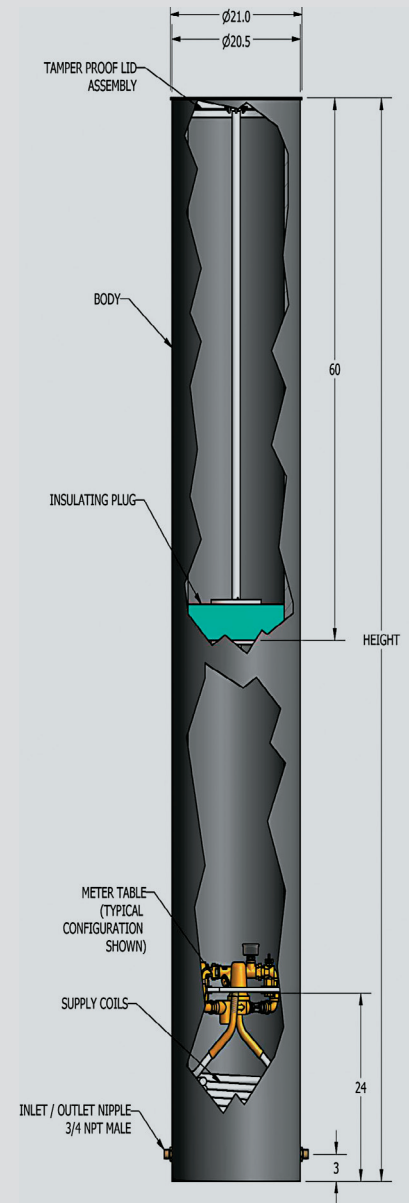
\* Comes with meter swivel connection

\*\* The meter lift inlet pressure must not exceed 160 psi, with or without a PRV. Consult Plainsman's Engineering department if higher pressures are required.

### Additional Customizations:

Customization of Meter Lift is available upon consultation.  
Examples of customizations include:

- Antenna hole and locking hasp on lid as shown below
- Different sized connections (not 3/4")



Example: Meter Table

## For Quotes or Information:

- Specify Plainsman Model 18 Meter Lift
- Indicate Height required
- Indicate inlet pressure
- Indicate fittings required. Be sure to indicate the order of fittings, via list and/or clear schematic.

MADE IN CANADA

