

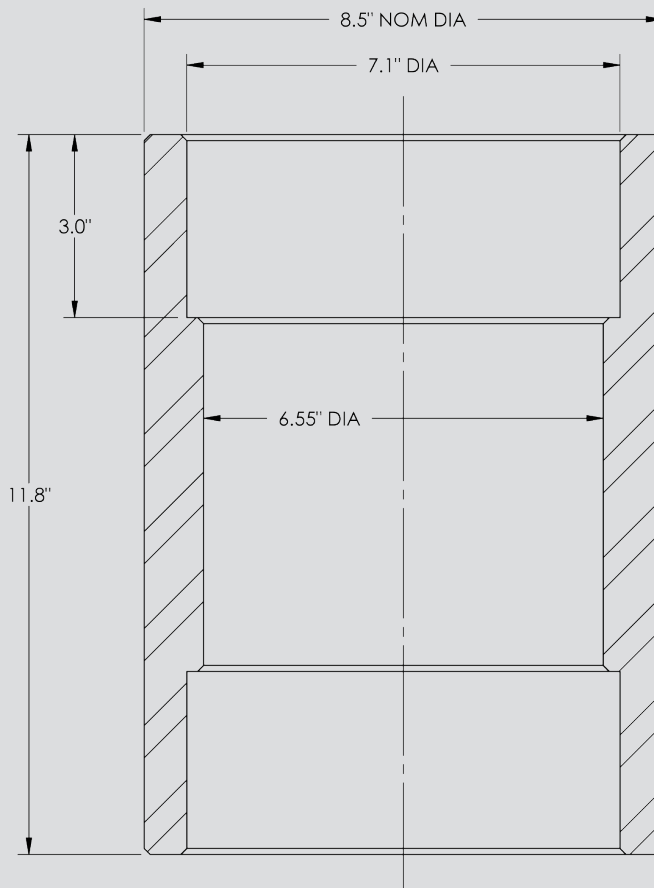
Plainsman Casing Coupling

Features

- AISI 1026 construction
- Fits 7" casing with socket weld connections
- Hi-temp flat black coating



General Dimensions



SECTION THRU \varnothing