



DRUM GAUGE

P596 & P779 Drum Gauge

The simplest most effective way to meter chemicals, Plainsman Drum Gauges come calibrated for rate and volume on 55 gallon drums. Choose from a plain P596 gauge or a P779 with a built-in rate testing valve.

P596 & P779 Drum Gauge Standard Features

- Designed for horizontal 55 gallon drum
- 3/4" NPT Inlet, 1/4" NPT Outlet
- Retaining pin hole not drilled through front of casting to protect operator from overflow spill or spray
- Special seal used in critical seal area instead of o-ring for better seal and longer glass life
- Cast aluminum frame is dual calibrated and serves as a volume and rate gauge
- Floating sight ball for easy fluid level indication
- Optional vent connection

P596 Drum Gauge Only

- Optional stainless steel nipple

P779 Drum Gauge Only

- Complete with spring loaded test valve for rate tests
- Optional stainless steel valve
- Optional extra long valve
- Teflon seals in valve

Ratings

Volume: 5 - 55 Gallons, 20 - 205 Litres

Rate: 1 - 70 Quarts/Day for 1 min test

1 - 70 Litres/Day for 1 min test



Ordering Information

Model Number

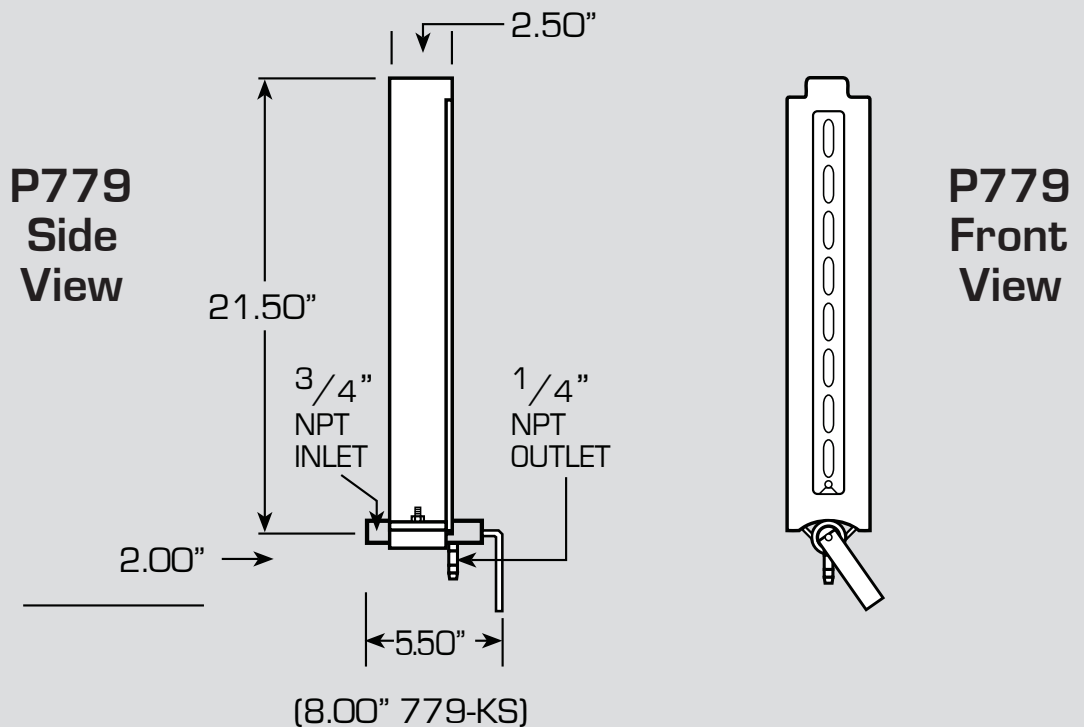
- P596 (Standard)
- P596S (Stainless Steel Wetted Parts)
- P779 (Standard)
- P779-S (Stainless Steel Wetted Parts)
- P779-KS (King Size Valve)
- P779-V (Vented Top)
- Alternate Seal Material (if necessary)



DRUM GAUGE



PART	MATERIAL			
	779	779-S	779-KS	779-V
Retainer Seal	Viton (Nitrile Opt.)	Viton (Nitrile Opt.)	Viton (Nitrile Opt.)	Viton (Nitrile Opt.)
Valve Shaft	SS	SS	SS	SS
Valve Body	Carbon Steel, Zinc Pltd.	SS	Carbon Steel, Zinc Pltd.	Carbon Steel, Zinc Pltd.
Valve Seat	Teflon	Teflon	Teflon	Teflon
Shaft Seal	Viton (Nitrile Opt.)	Viton (Nitrile Opt.)	Viton (Nitrile Opt.)	Viton (Nitrile Opt.)
End Block Seal	Teflon	Teflon	Teflon	Teflon
End Block	Carbon Steel, Zinc Pltd.	SS	Carbon Steel, Zinc Pltd.	Carbon Steel, Zinc Pltd.
Glass	Schott Duran	Schott Duran	Schott Duran	Schott Duran
Shaft Spring	SS	SS	SS	SS
Vent Bushing	N/A	N/A	N/A	Carbon Steel, Zinc Pltd.



MADE IN CANADA



Phone: 780-496-9800 Fax: 780-463-9800 Toll Free: 1-877-448-0586

www.plainsmanmfg.com

Specifications subject to change without notice

(3), PB-GAUD01